

FOXJET®

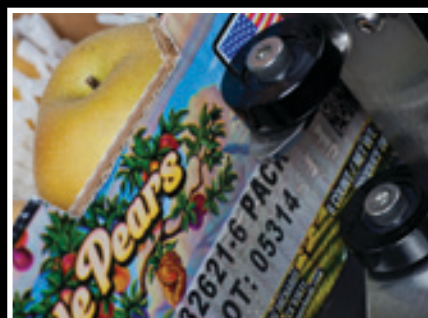
AN ITW COMPANY



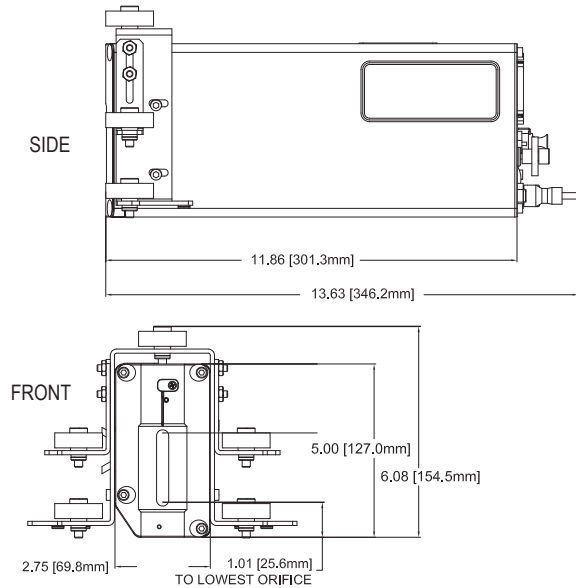
ProSeries® *NP384*

High Resolution InkJet Printing

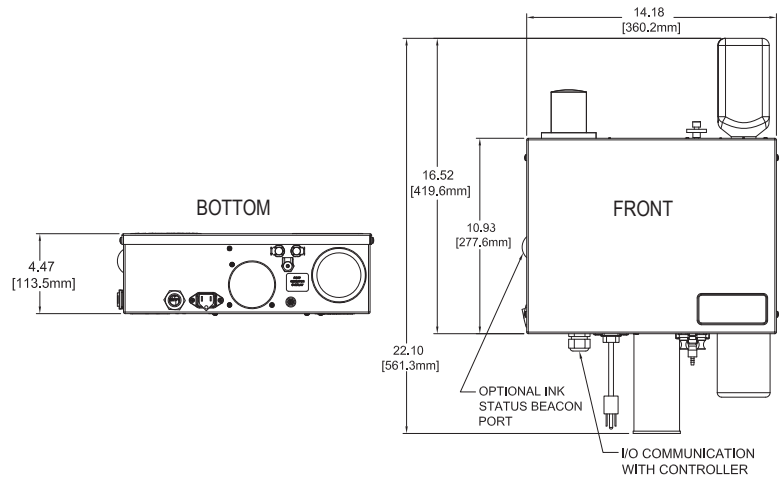
Inkjet
Technology by



NP 384 Dimensions:



IS Dimensions:



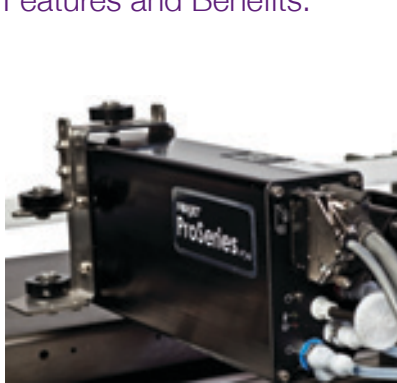
Printhead Specifications:

Print Height	Image area up to 2"
Standard Print Speeds	Up to 200 fpm
Print Orientation	Side
Orifices/Channels	384/128
Lines of Print	Up to 14 lines
Print Resolution	64 dpi vertical by up to 300 dpi horizontal
Throw Distance	Up to 1/8"
Operating Conditions	Temperature 50°F - 104°F (10° C - 40°C) Relative Humidity 5% - 80% (non-condensing)
Regulatory Listings	TUV (CE/CSA/UL)
Sensors	Photo sensor and upstream smart sensor

Inks & Ink Delivery System Specifications:

Priming	Automatic Priming System
Ink Delivery	Centralized Ink Delivery
Ink	Non-Porous Inks, Solvent-based for coated cartons & shrink wrap.
Substrates	Formulated for non-porous surfaces
Applications	Formulated for barcodes, logos, graphics and text messages

Features and Benefits:



Smart Clean System keeps print sharp and reduces maintenance downtime with automated solvent and ink flush to remove environmental debris.

High Resolution Print for barcodes, logos, graphics, and alphanumerics.

Stainless steel face plates provide maximum reliability in harsh environments.

Non-porous printing on substrates such as coated, decorative cartons for point-of-purchase display, shrink film overwraps, market-ready packaging, and semi-permeable moisture barrier carton stock.

AllWrite A5000 ink prints on both porous and non-porous substrates, which allows for a single print system that works for both print surfaces.

Reliable printheads using the Trident based print engine allows for maximum uptime, reliability and repairability.

Distributor Information:

videos



inkjet coders

product info

scan me