

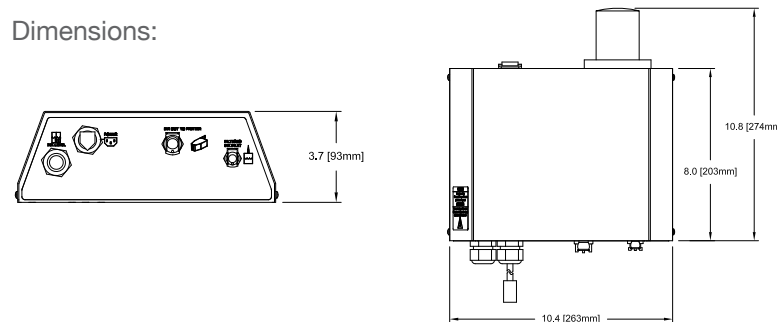
VxJet IS Pumps

FoxJet offers two types of ink supplies that feed ink to the individual valve printheads. The VxJet IS Can utilizes a pressurized can system with no mechanical parts to deliver ink. The VxJet IS Pump features an ink pump, accumulator and circuit board with a precise pressure control system. The VxJet IS Pump supports up to a maximum of 72 valves in any combination, and the VxJet IS Can supports up to a maximum of two valve jet printheads.

IS Pump Specifications:

Ink Delivery Systems	VxJet IS Pump	VxJet IS Can
Enclosure	Painted steel	Stainless steel
Ink Filtration	100 micron - inline replaceable	
Operating Pressure	Output pressure - 20-25 psi	15 psi
Cable Ports	Ethernet, ink low level, ink status beacon, power cord	
Ink Tubing	Maximum 100ft. from IDS to printhead (horizontal) Maximum 20ft. from IDS to highest printhead (vertical)	Maximum 25ft. from IDS to printhead (horizontal) Maximum 10ft. from IDS to highest printhead (vertical)
Types of Ink	Porous and non-porous	Porous and non-porous
Ink Supplies	5 & 30 Gallon pails	13.5oz Pressurized can
Print Head Capability	Supports single task, supports of up to 72 valves	Supports a maximum of two printheads

Dimensions:



VxSeries

Industrial Inkjet Equipment for All Your Marking and Coding Needs

FoxJet offers the most complete and technically advanced valve printers in the industry.



Marksman Duo XT Controller and VxJet Printheads

The Marksman Duo XT Controller utilizes the VxJet integrated valve printheads featuring a nine or eighteen valve pattern enabling the print of any product or date code required. A wide array of built-in printing codes allows users to quickly develop messages for printing.

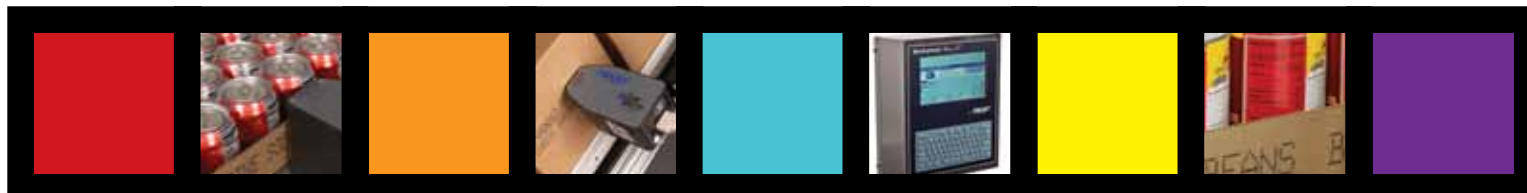
- Porous or Non-Porous Marking
- 1/2" up to 2" Print Height
- Color Touch Screen
- Integrated Valve Technology

Distributor Information



#1 Missouri Research Park Drive • St. Charles, MO 63304
800-369-5384 • www.foxjet.com • email@foxjet.com

Scan this QR Code to learn more about FoxJet's VxSeries





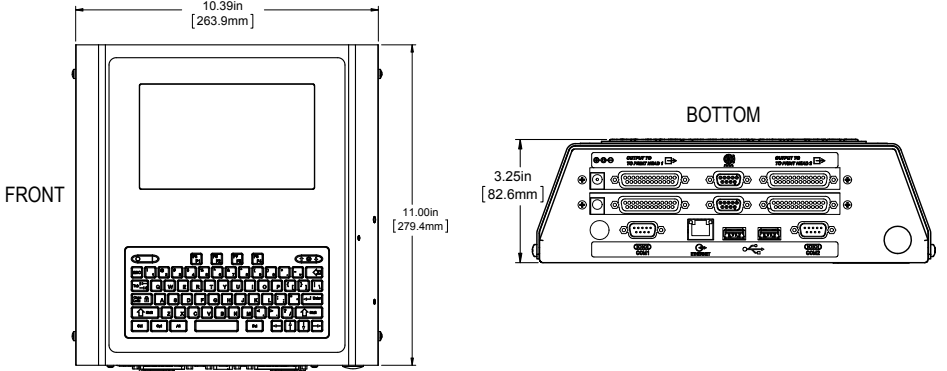
Marksman Duo XT Controller

FoxJet's Marksman Duo XT Controller is capable of operating up to sixteen valve jet printheads. The LCD color touch screen offers a clear WYSIWYG interface for easy operation. The sealed QWERTY keyboard allows the controller to stand up to harsh environments. The Marksman Duo XT Controller features serial and USB communication ports which allow for easy interfacing with other equipment. And built-in auto codes allow users to quickly develop messages.

Controller Specifications:

Touch Screen Display	7" Color Screen
Operator Interface	Graphical User Interface, WYSIWYG Editor
QWERTY Keypad	Sealed Elastomeric
Enclosure	Stainless Steel, Environmentally Sealed
Memory	128MB for unlimited message storage
Connectivity	1 – Ethernet, 2 – USB, 2 – RS232
IO Interface	IO Board Option
Auto Codes	Time, Date, Use By, Julian, Count, User Defined Shifts, Variable Input
Bar Codes	UPC, GTIN, I2of5, 128, Code 39, EAN, UCC, 2D Data Matrix
Logos	Bitmap Images
Fonts	Arial Standard, TrueType Available
Windows PC GUI Software	Graphical User Interface, WYSIWYG Editor
Dual Line Support	Yes
Direct Interface	Serial or Ethernet protocol
Number of Printheads	(8) 9 dot or (4) 18 dot, (up to 72 dots) per card, maximum 2 cards

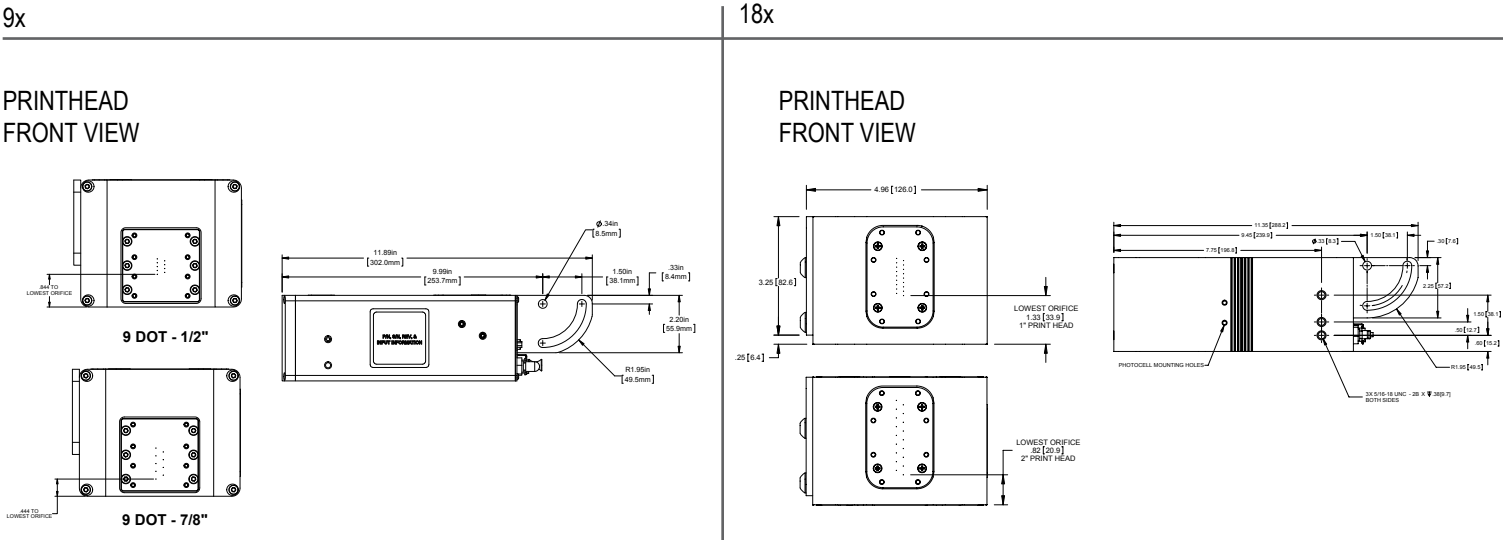
Dimensions:



Printhead Specifications:

Printhead	9x	18x
Print Height	1/2" or 7/8"	1" or 2"
Print Speed	Up to 650 fpm	
Ink Type	Porous or non-porous	
Ink Throw Distance	Up to 1/2" (12mm)	
Orientation	360 degrees for top, side and bottom printing	
Environment	40° - 104°F (5° - 40°), 10 - 90% non-condensing humidity	
Print Technology	Drop on demand, solenoid, 1000hz	
Construction	Stainless front plate, anodized enclosure, environmentally sealed	
Weight	5.4lbs (2.4kg)	6.2lbs (2.8kg)

Dimensions:



VxJet 9x and 18x Integrated Valve Printheads

The VxJet 9x and 18x printheads are designed to work with the Marksman DuoXT controller, making it the smartest valve jet printer on the market. The VxJet printheads can print 1/2" up to 2" characters. The printheads are designed to run up to 650 feet per minute on porous or non-porous surfaces. The printhead features a robust, one-piece, die-cast aluminum housing and an environmentally sealed printhead for long lasting results in demanding environments. The dot size adjustment feature allows the user to make adjustments to each individual dot on the printhead maximizing the ink usage and providing optimal print quality.

