



The Linx 8940 Spectrum provides reliable printing with high contrast pigmented inks onto surfaces such as plastic cabling, extruded products and colored glass.

LINX 8940 Spectrum

The Linx 8940 Spectrum is designed to print quality codes in challenging environments and on high speed lines.

Innovative

Patent-pending features PureFlow® ink filter and Vortex® mixing tank ensure opaque print, a cleaner nozzle and trouble-free restarts and premium print quality

Reliable

Preventive maintenance servicing can be completed in 30 minutes by untrained technicians using onscreen instructions

Capable of 28-day shutdown and 1-week cleaning intervals for increased uptime

Easy-to-Use

Mistake-free one-touch fluid cartridge refills during printing and simple user interface with large icon-driven touchscreen that includes production-rate visibility

FOXJET®

TECHNICAL DATA

Print head	Mk11 Midi plus, 90° print head configuration (optional)
Print head – conduit options	2M (standard), 4M (optional)
Max lines of print	Up to 6 lines
Character height range	0.08" - 0.67"
Max speed single line	Up to 1791 fpm
Ink delivery system	Fluid cartridges
Message printing	Sequential numbering, forward and backward counting, variable intervals, multiple number ranges, alphanumeric sequencing, reverse, inverted and tower printing
Graphics/Logo printing	Yes, via imported monochromatic bitmap files using USB port
Barcodes	ITF 2, Code 39, Code 128, EAN 13, EAN 8, UPCA, Pharmacode, Data Matrix, QR Code, RM4SCC-Type C
Ingress protection rating	IP65



Scan for a full list of technical data.

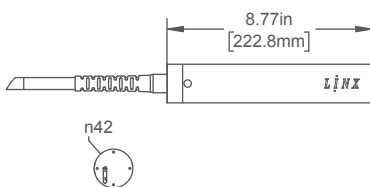


FEATURES & BENEFITS

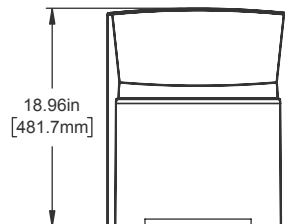
- Best-in-class extended service interval of up to 8,000 hours or 12 months with a range of inks
- Self-service option with an onscreen wizard to guide through the servicing process
- Robust sealed print head means fewer interventions and less cleaning, typically only once per week, even when running continuously
- Autoflush unique print head sequence leaves the print head and conduit clean and dry, ready for every startup
- Printer is ready to print first time, with no need for flushing or to be permanently powered on
- Accurate marking at regular intervals with rollback/anti-backward detects encoder direction

TECHNICAL DRAWINGS

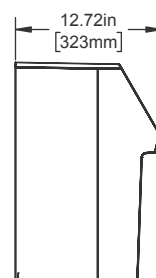
Print head



Printer

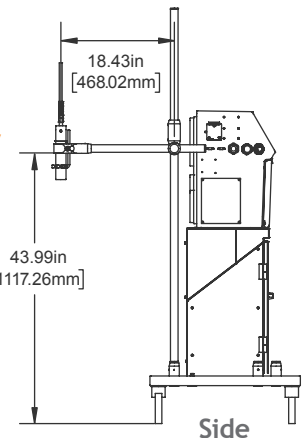


Front



Side

Trolley setup



Side

1 Research Park Drive • St. Charles, MO 63304-5685
800.369.5384 • foxjet.com • info@foxjet.com

