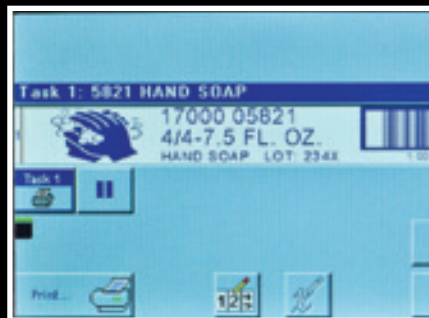


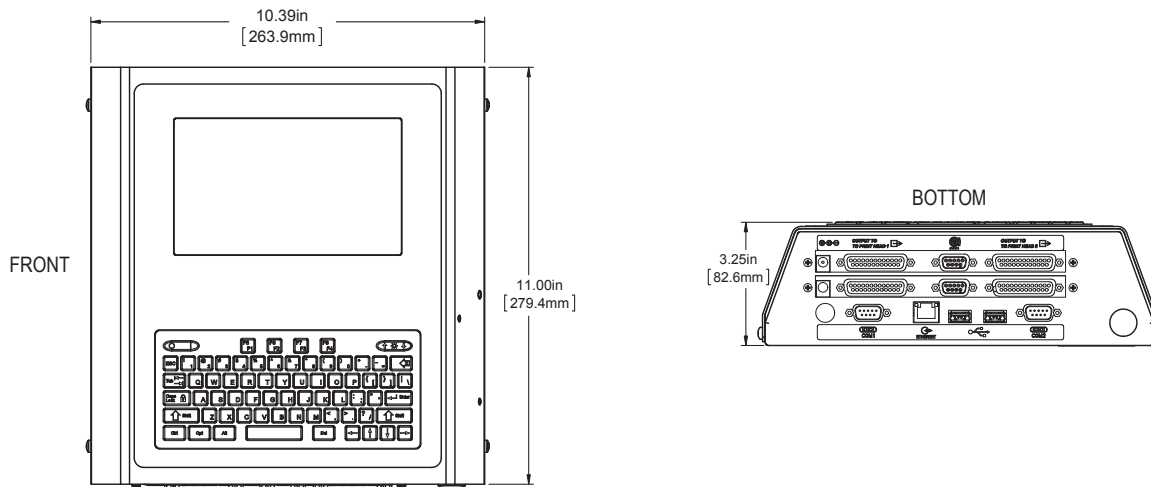


## Marksman *Duo XT*

High Resolution InkJet Printing



Dimensions:



Controller Specifications:

<b>Touch Screen Display</b>	7" Color Screen	<b>Logos</b>	Bitmap Images
<b>Operator Interface</b>	Graphical User Interface, WYSIWYG Editor	<b>Fonts</b>	Arial Standard, TrueType Available
<b>QWERTY Keypad</b>	Sealed Elastomeric	<b>Windows PC GUI Software</b>	Graphical User Interface, WYSIWYG Editor
<b>Enclosure</b>	Stainless Steel, Environmentally Sealed	<b>Dual Line Support</b>	Yes
<b>Memory</b>	128MB for unlimited message storage	<b>Direct Interface</b>	Serial or Ethernet protocol
<b>Connectivity</b>	1 – Ethernet, 2 – USB, 2 – RS232	<b>Number of Printheads</b>	ProSeries NP384 up to 4
<b>IO Interface</b>	IO Board Option		
<b>Auto Codes</b>	Time, Date, Use By, Julian, Count, User Defined Shifts, Variable Input		
<b>Bar Codes</b>	UPC, GTIN, I2of5, 128, Code 39, EAN, UCC, 2D Data Matrix		

Features and Benefits:



- Color Touch Screen** – 7" color graphical user interface guides users easily through menu functions.
- Stainless Steel Enclosure** provides maximum reliability in harsh environments.
- Environmentally Sealed** with no moving parts on the inside eliminating the need to clean filters and provides a protected environment for the internal electronics.
- Dual Production Line Support** allows the Marksman Duo XT to independently control two production lines from the same user interface.
- I/O Board interface card option** allows for connection to external system devices for automation and control logics.

Distributor Information:

